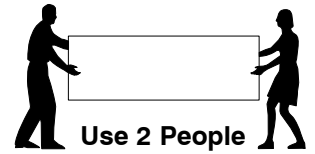
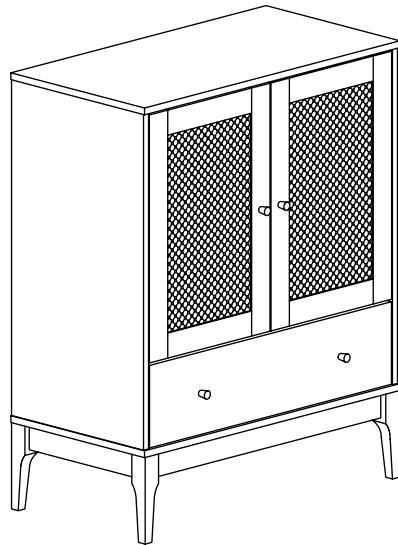


9005 Display Cabinet

Assembly Instructions

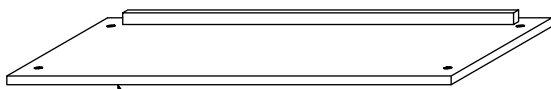
WI-0222



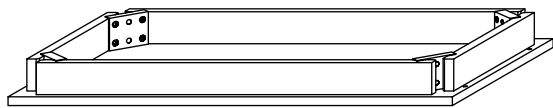
Note: Do not assemble using power tools. This can cause the bolts to be overtightened

1 Parts List

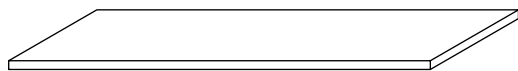
Parts in Box A:



A Top Panel x 1



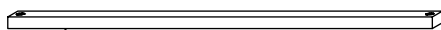
B Bottom Panel x 1



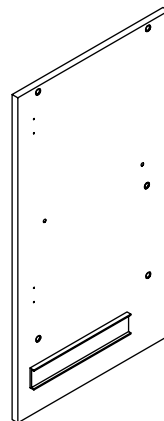
C Middle Shelf x 1



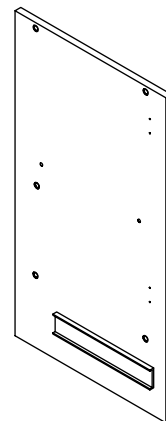
D Bottom Shelf x 1



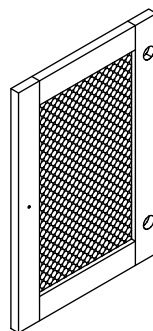
E Support Bar x 2



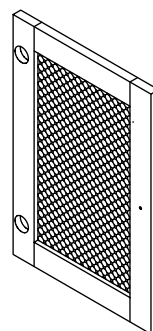
F Side Panel (Left Hand) x 1



G Side Panel (Right Hand) x 1



H Door Panel (Left Hand) x 1



J Door Panel (Right Hand) x 1



K Post x 4

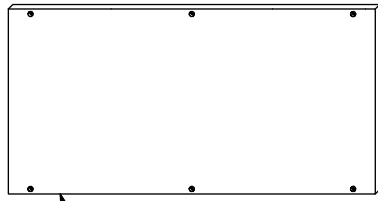
9005 Display Cabinet

Assembly Instructions

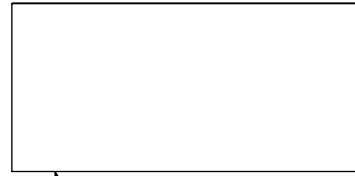
WI-0222

1 Parts List

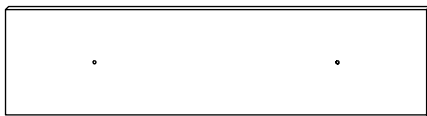
Parts in Box B:



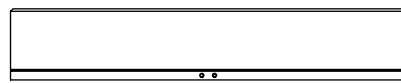
L Back Panel x 2



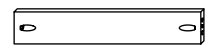
M Drawer Bottom Panel x 1



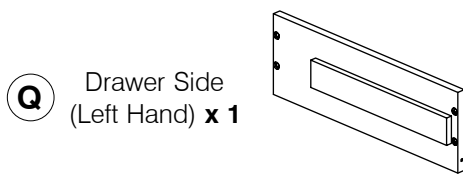
N Drawer Face x 1



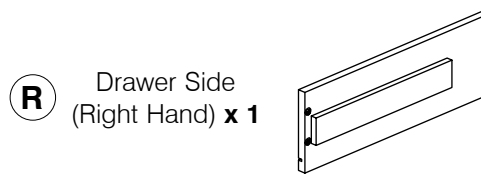
O Drawer Back x 1



P Drawer Rail x 1



Q Drawer Side (Left Hand) x 1



R Drawer Side (Right Hand) x 1

2 Hardware List



1 M6 x 15mm JCB x 20



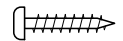
2 M6 x 60mm JCB x 8



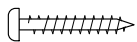
3 M4 x 16mm Wood Screw x 28



4 M4 x 20mm Wood Screw x 6



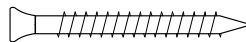
5 M4 x 25mm Wood Screw x 10



6 M4 x 32mm Wood Screw x 12



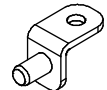
7 M6 x 25mm Wood Dowel x 4



8 CSK Cap Wood Screw (M6 x 50mm) x 4



9 L' Bracket (5005-3) x 10



10 Shelf Support (S060) x 4



11 Spring Washer x 8



12 Flat Washer x 8



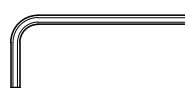
13 M4 x 20mm Bolt x 2



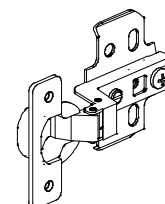
14 M4 x 25mm Bolt x 2



15 Handle (1005) x 4



16 Allen Key x 1



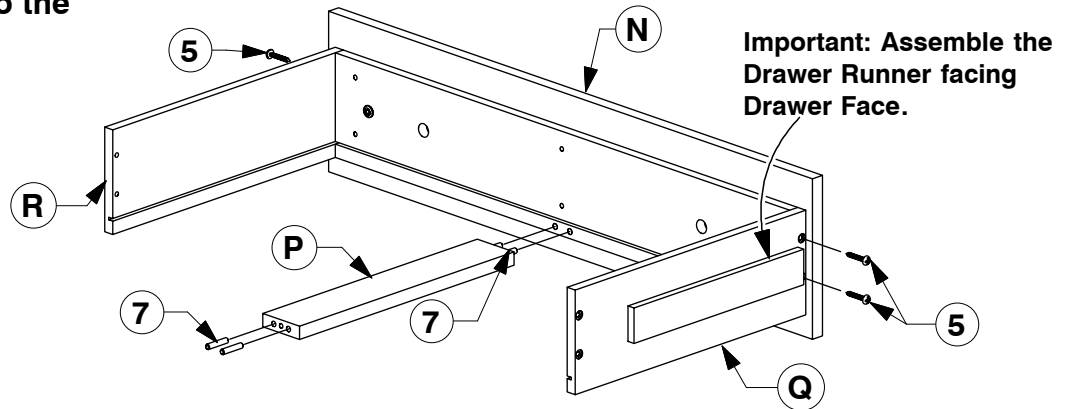
17 Hinge x 4

9005 Display Cabinet

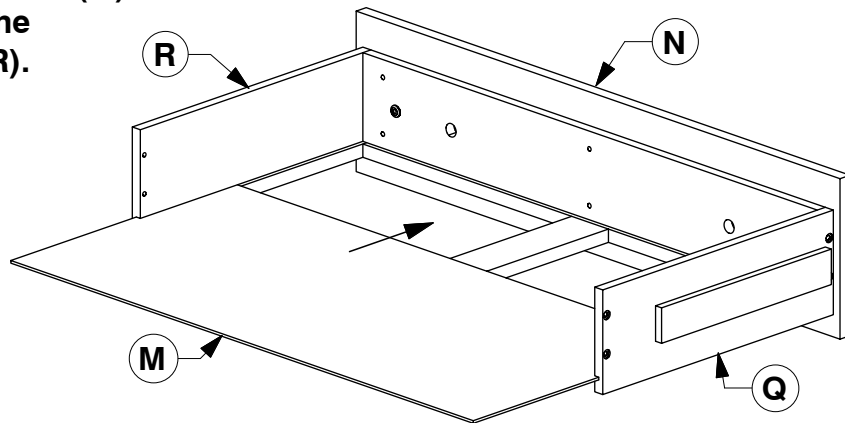
Assembly Instructions

WI-0222

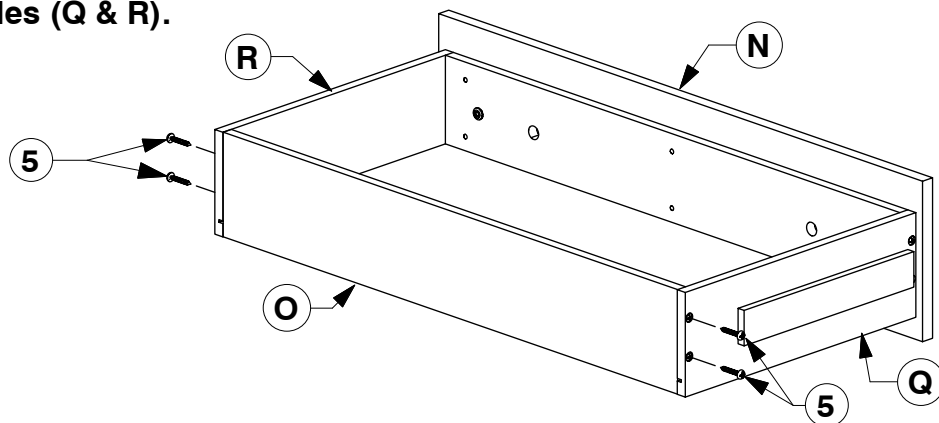
- 3** Assemble the Drawer Sides (Q & R) & Drawer Rail (P) to the Drawer Face (N).



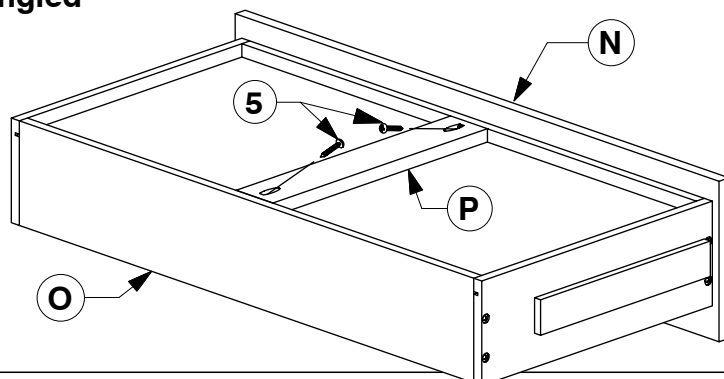
- 4** Slide the Drawer Bottom (M) into the groove on the Drawer Sides (Q & R).



- 5** Assemble the Drawer Back (O) to the Drawer Sides (Q & R).



- 6** Turn the Drawer over to fit angled 25mm Wood screws (5) to the Drawer Rail (P).

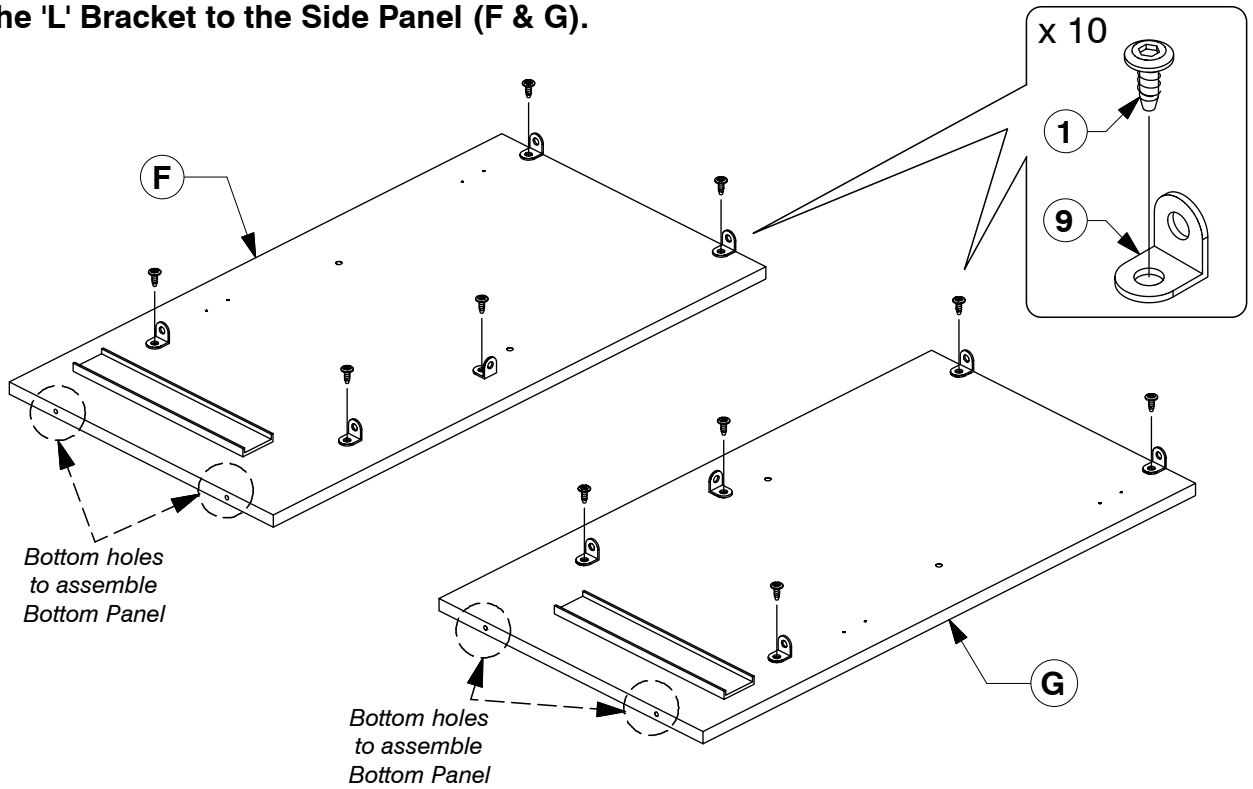


9005 Display Cabinet

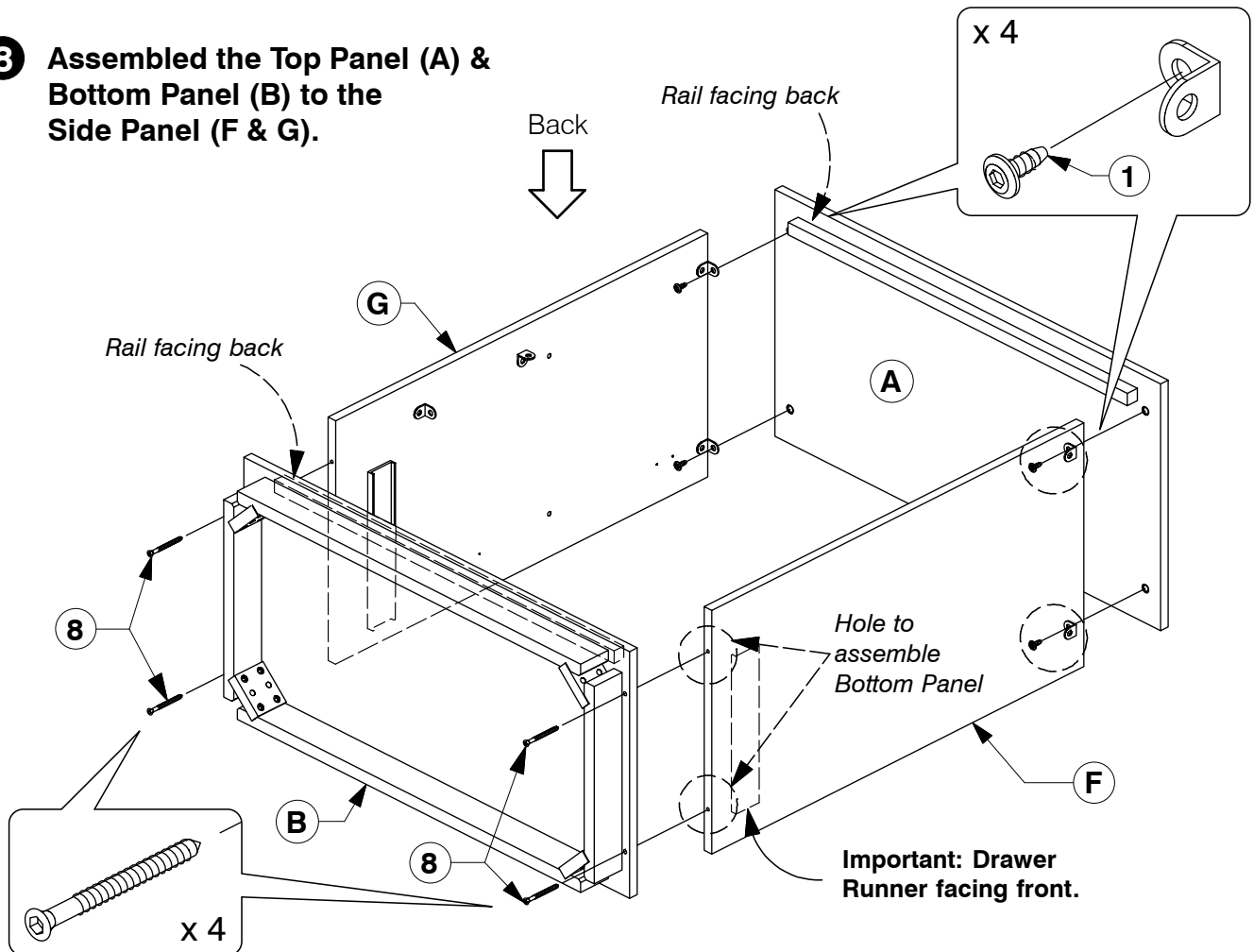
Assembly Instructions

WI-0222

7 Fit the 'L' Bracket to the Side Panel (F & G).



8 Assembled the Top Panel (A) & Bottom Panel (B) to the Side Panel (F & G).

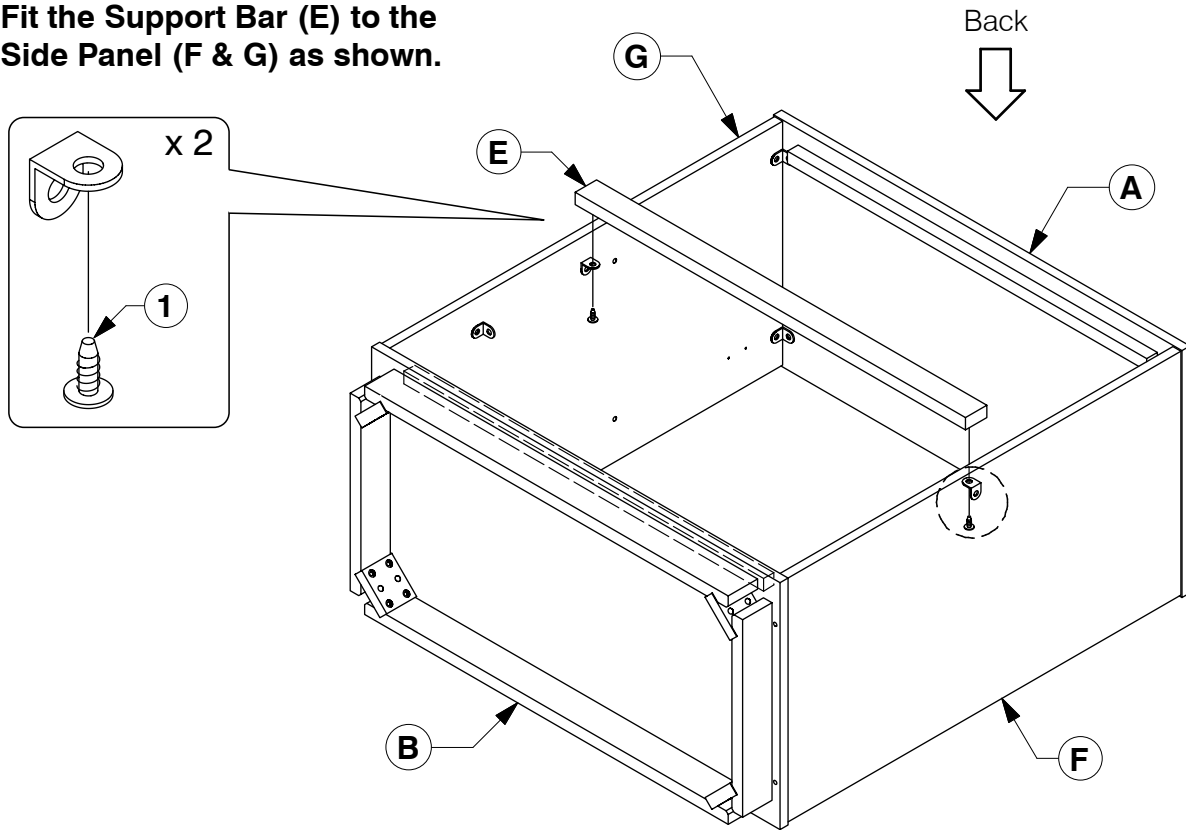


9005 Display Cabinet

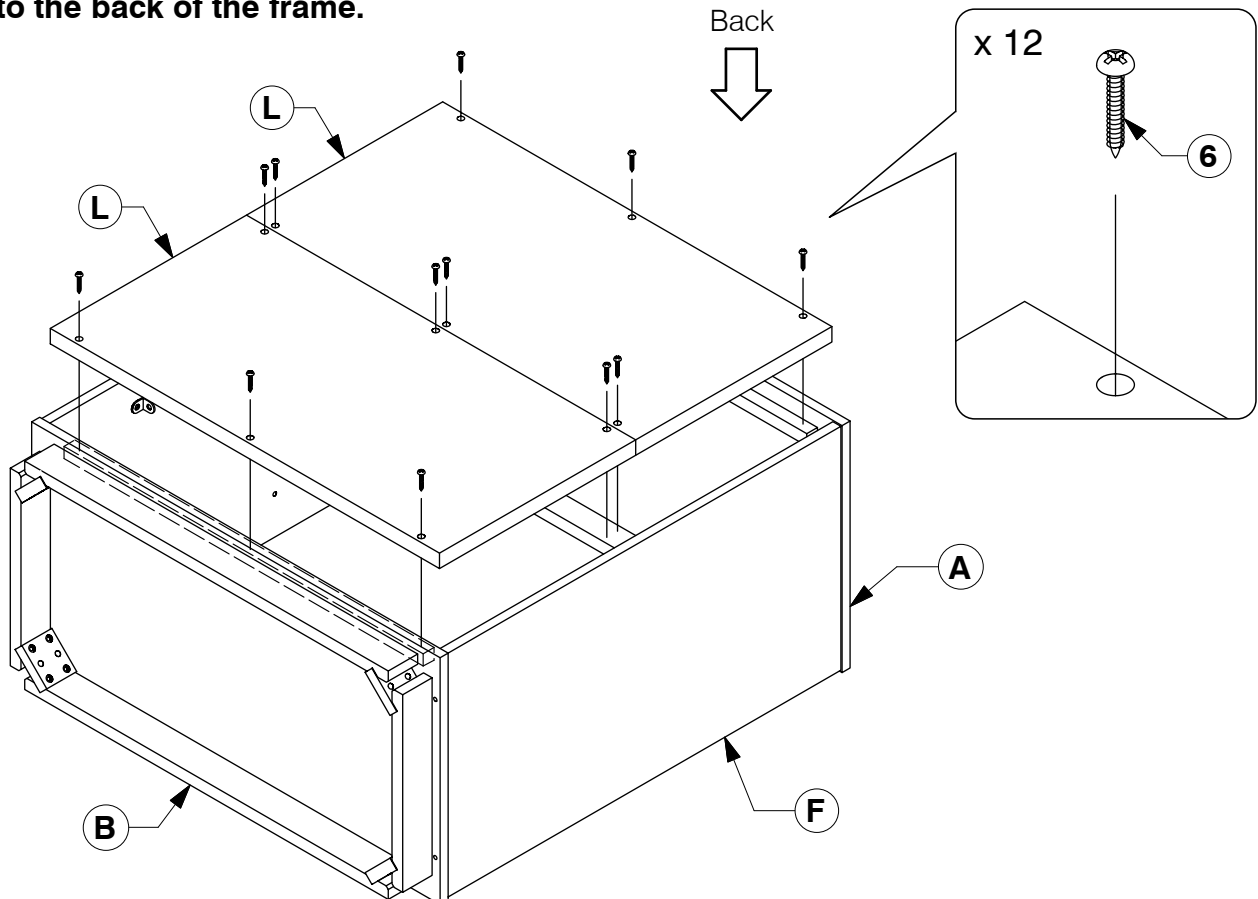
Assembly Instructions

WI-0222

- 9** Fit the Support Bar (E) to the Side Panel (F & G) as shown.



- 10** Attached the Back Panel (L) to the back of the frame.

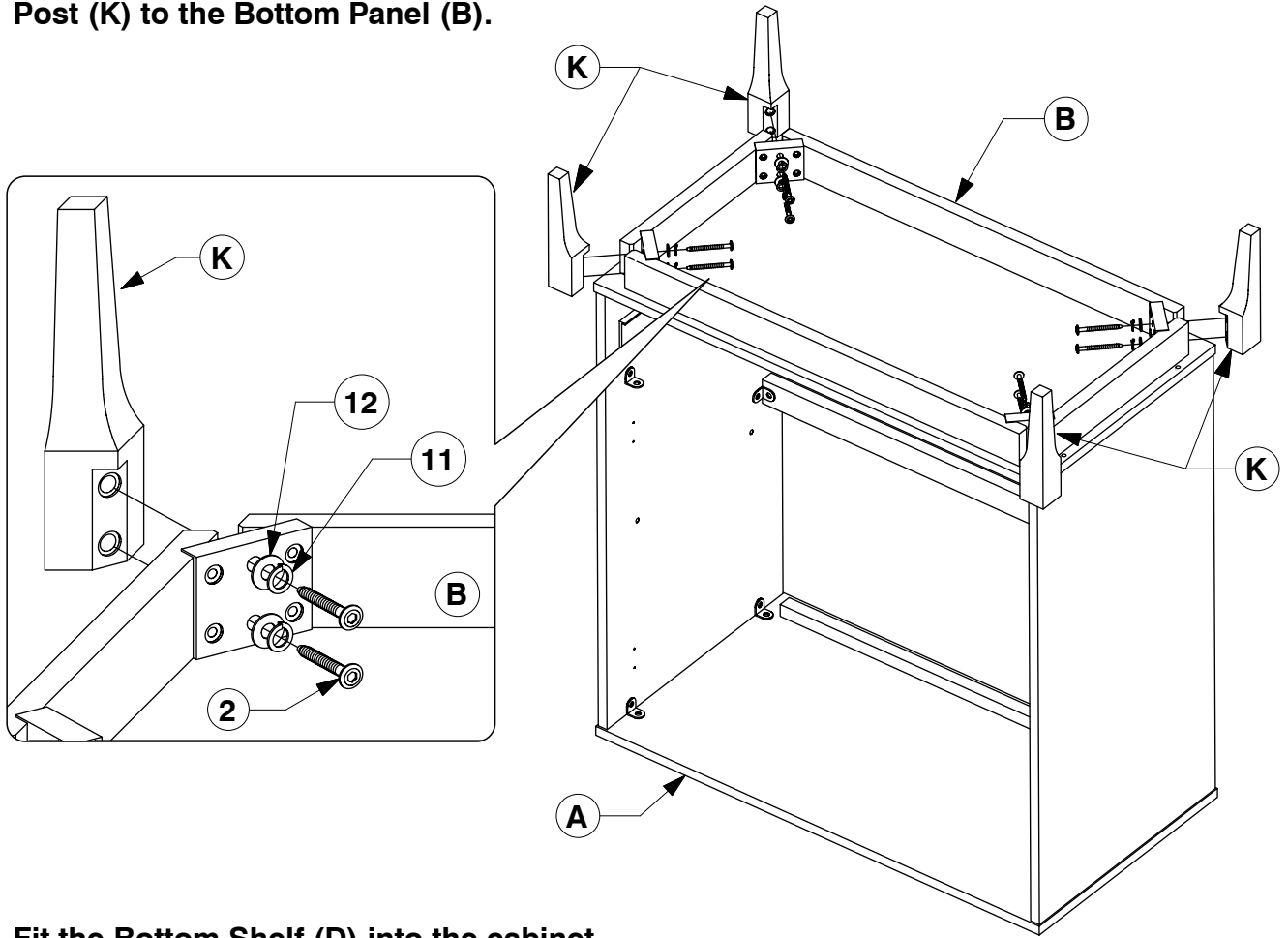


9005 Display Cabinet

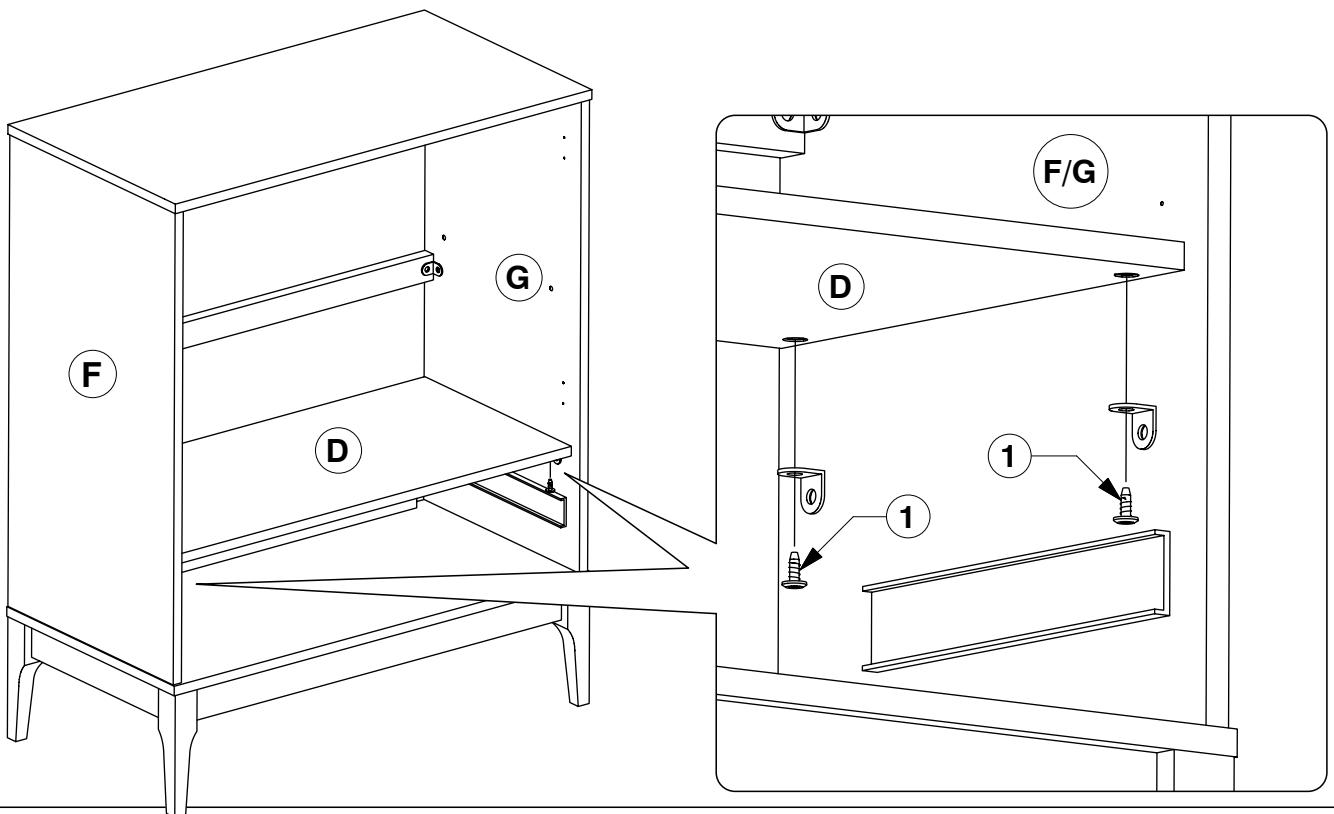
Assembly Instructions

WI-0222

- 11** Turn the chest over to fit the Post (K) to the Bottom Panel (B).



- 12** Fit the Bottom Shelf (D) into the cabinet.

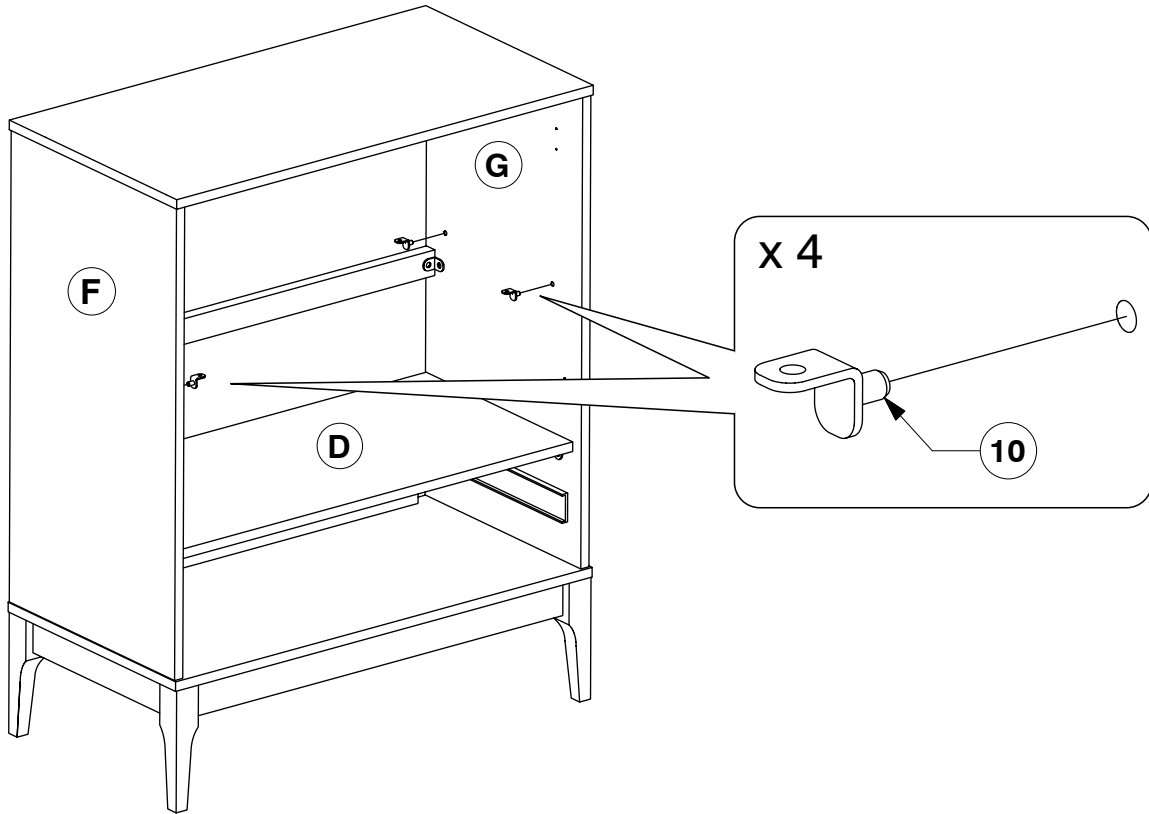


9005 Display Cabinet

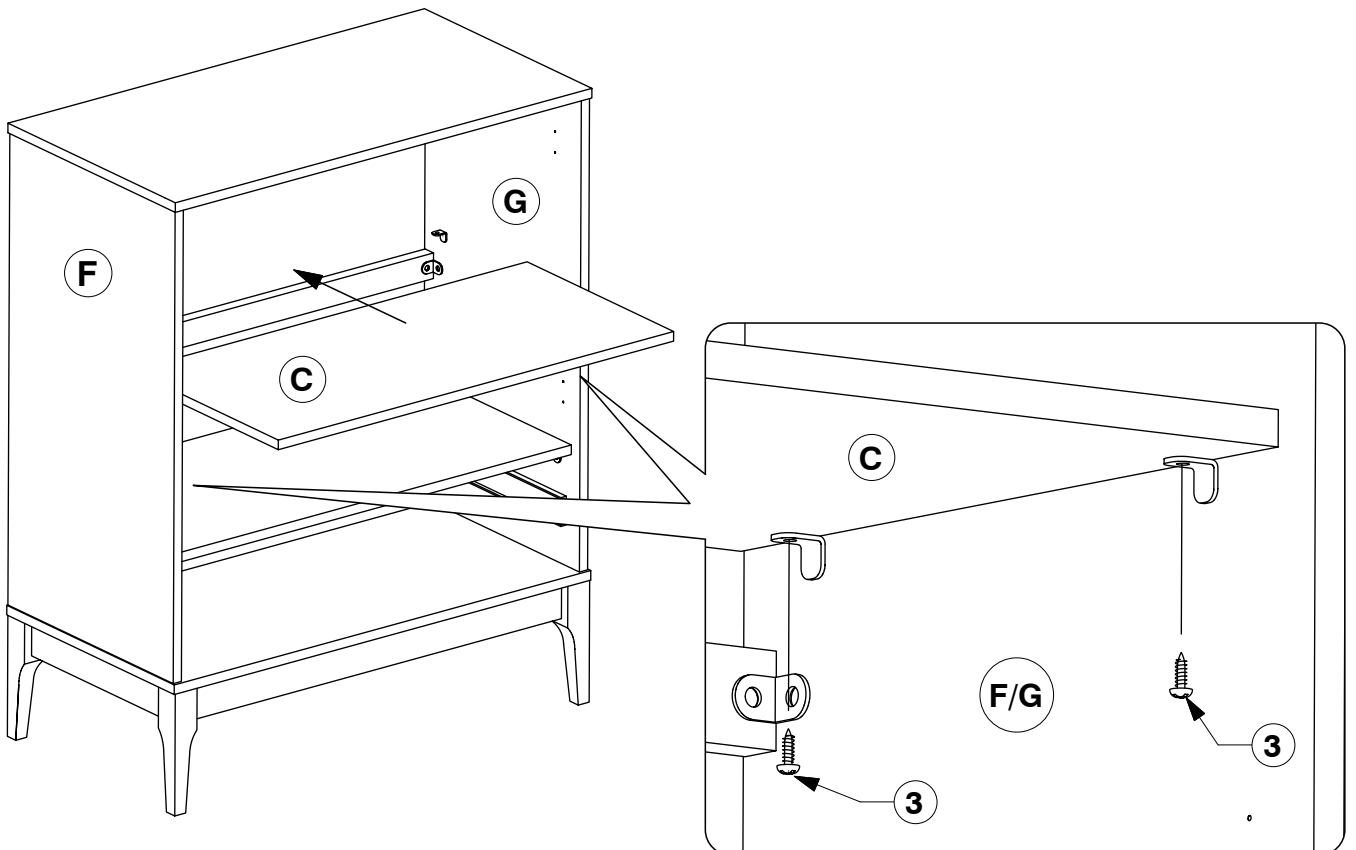
Assembly Instructions

WI-0222

13 Fit the Shelf Support to the Side Panel (F & G).



14 Fit the Middle Shelf (C) in place.



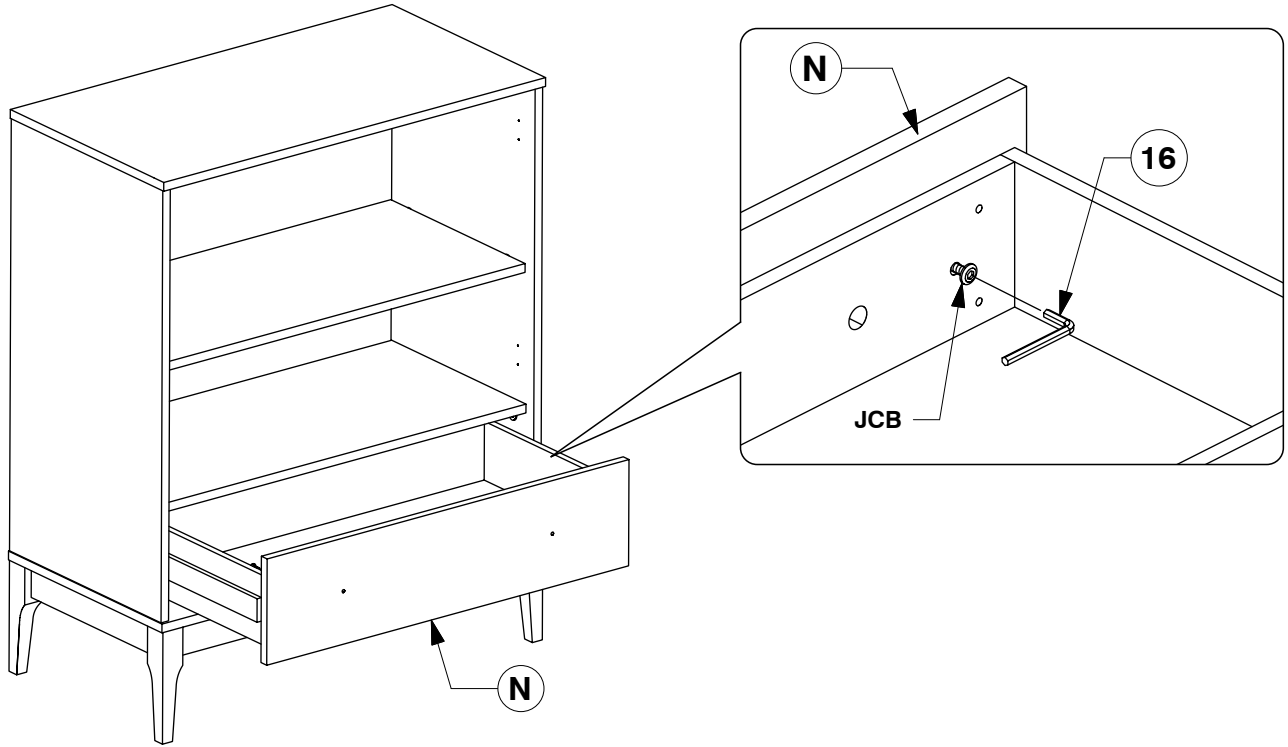
9005 Display Cabinet

Assembly Instructions

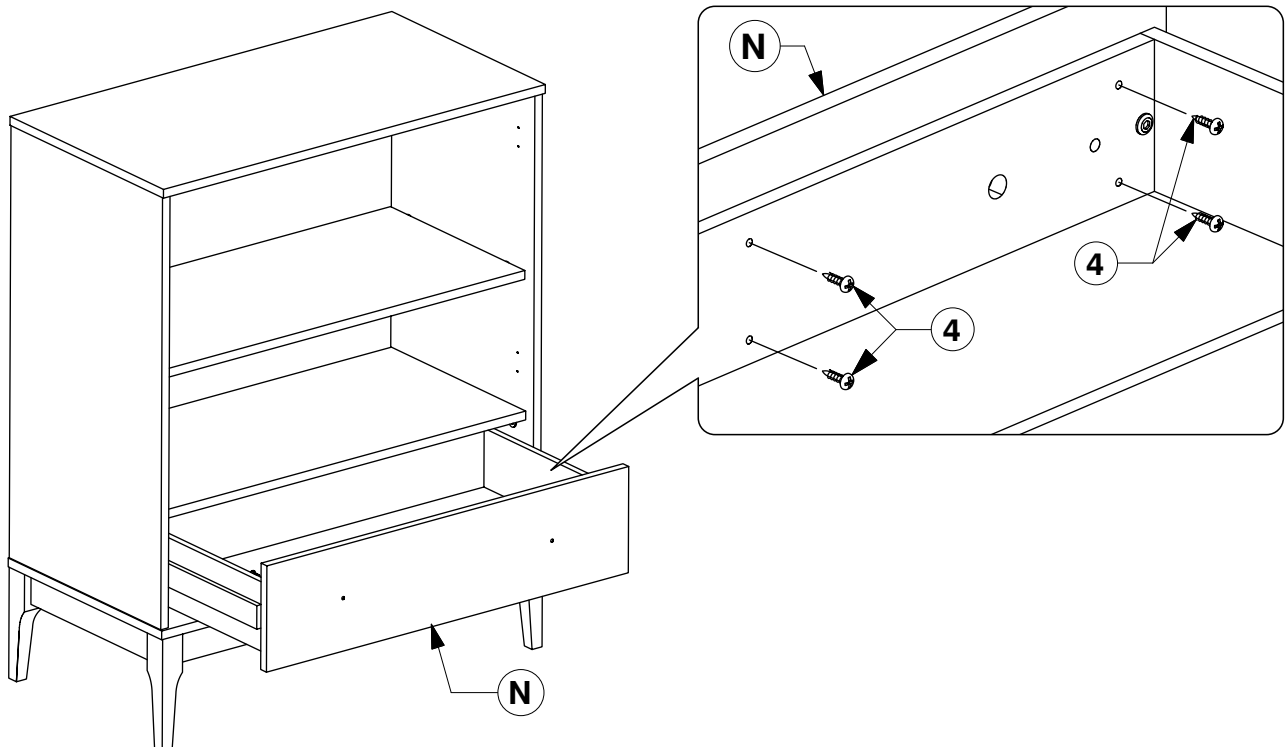
WI-0222

15 Fit and adjust the Drawer Face (N).

* NOTE: Before fitting the Wood Screws.
Loosen the JCBs on the Drawer Face if
the face needs alignment.



16 After the Drawer Faces (N) are aligned, secure with wood screws.

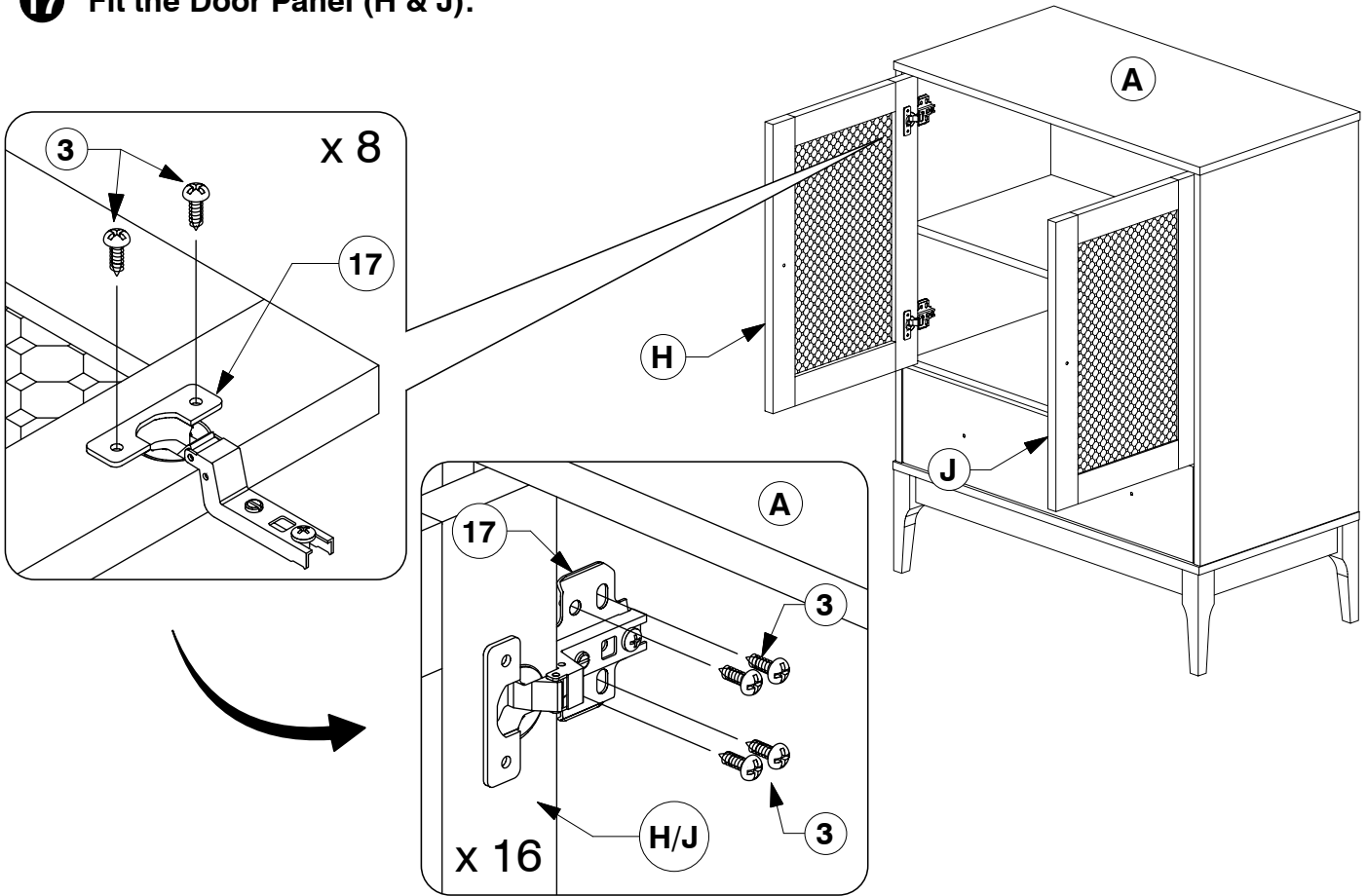


9005 Display Cabinet

Assembly Instructions

WI-0222

17 Fit the Door Panel (H & J).



18 Finally, fit the Handle to the Cabinet Door Panel (H & J) and Drawer Face (N).

